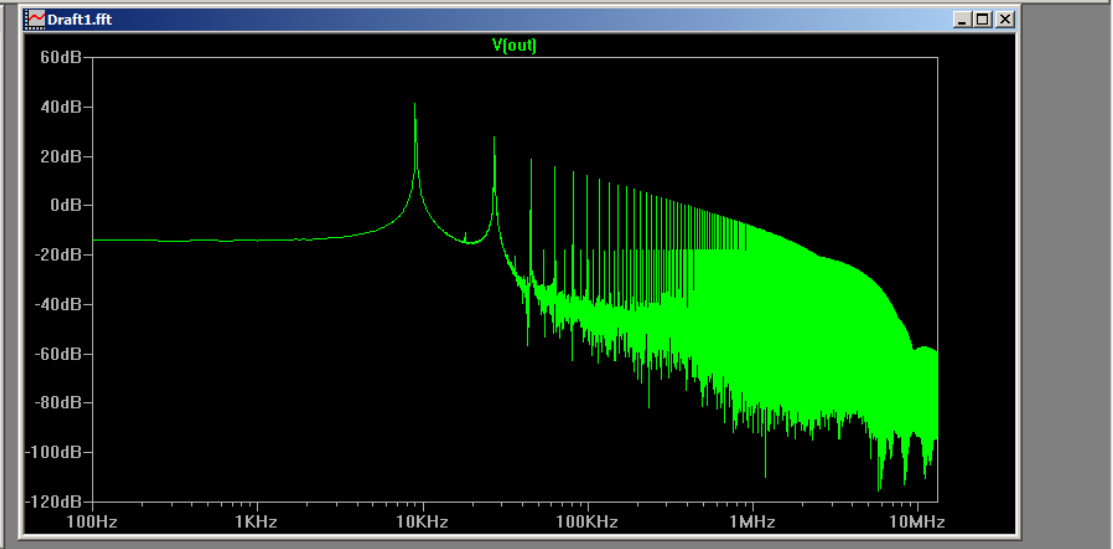
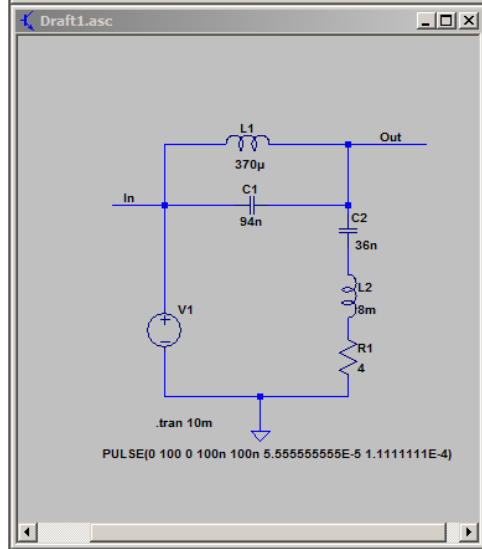
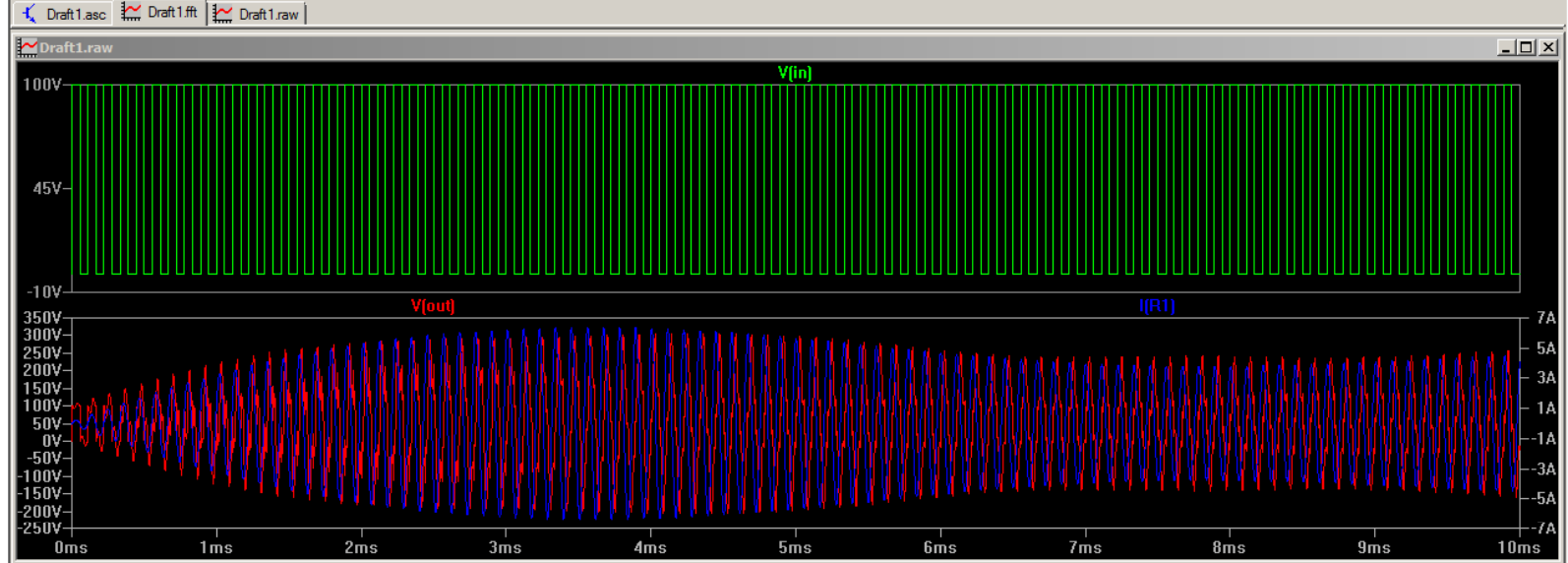


LTspice IV - Draft1.1ft

File View Plot Settings Simulation Tools Window Help

Draft1.asc Draft1.1ft Draft1.raw

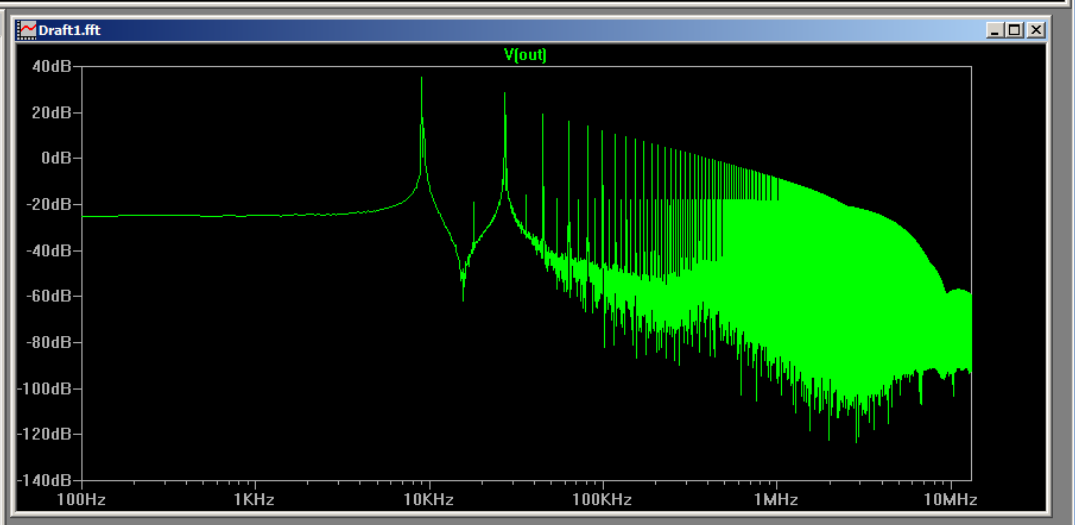
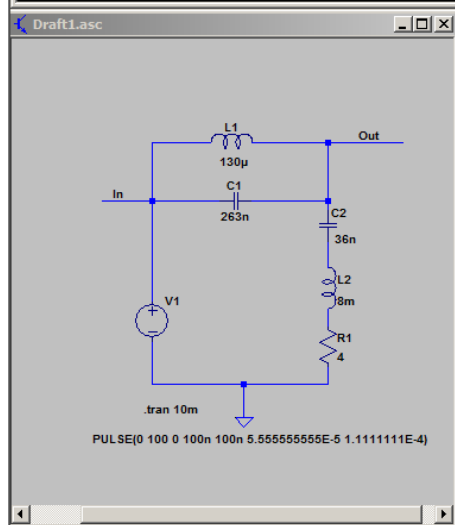
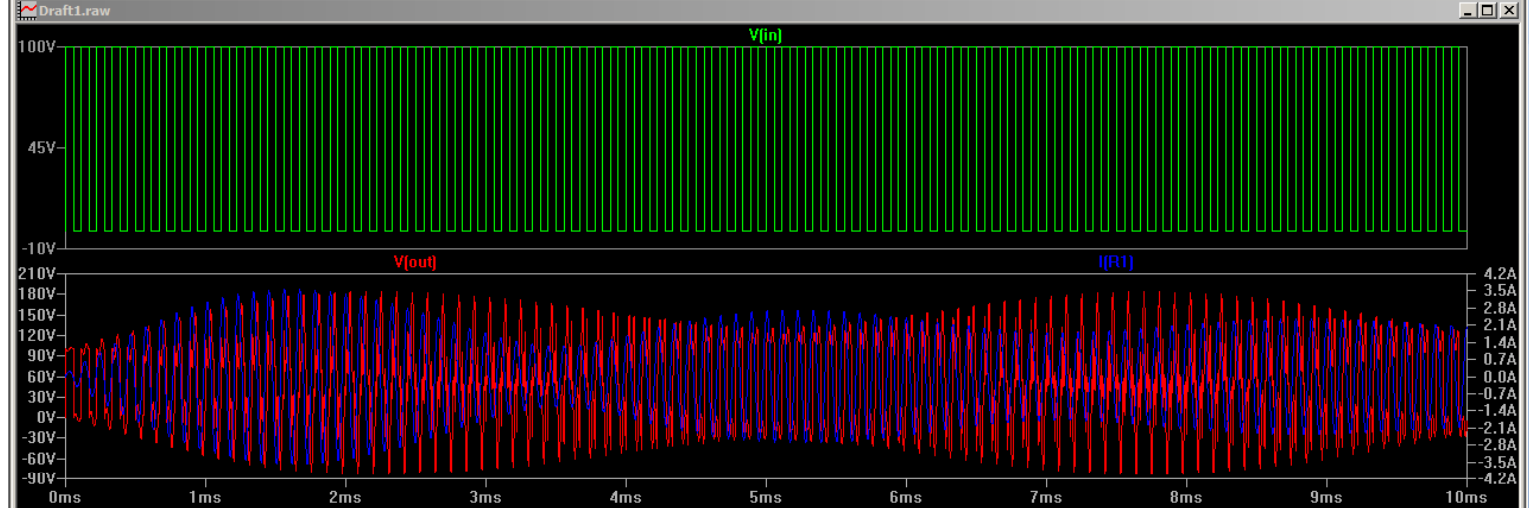


x = 7.46ms y = 48.88V

LTspice IV - Draft1.fft

File View Plot Settings Simulation Tools Window Help

Draft1.asc Draft1.fft Draft1.raw



x = 7.36ms y = 109.06V

