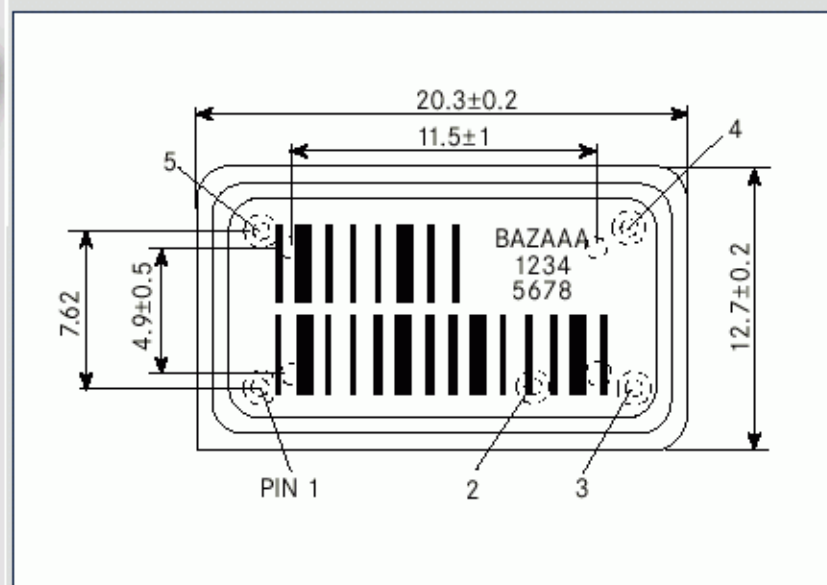
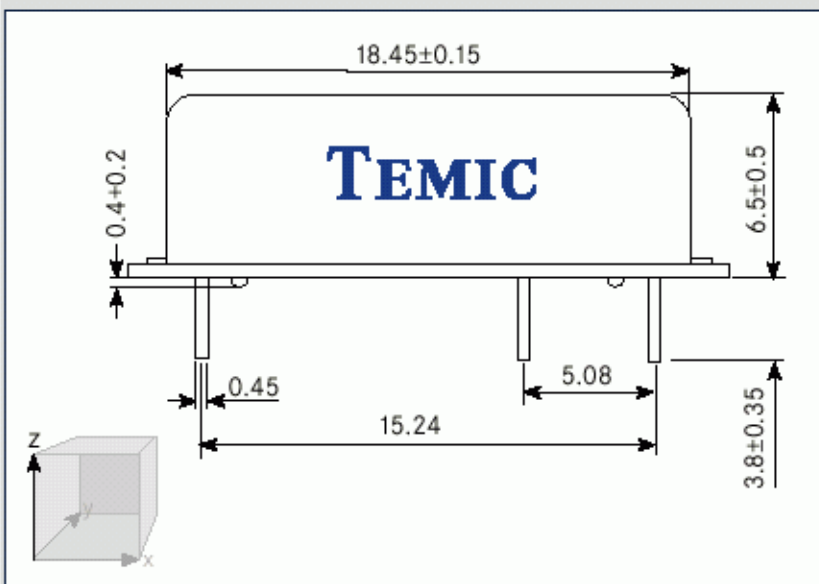


## Technical Data

sensitive axis	z-axis
full scale measurement range	50g
sensitivity	48mV/g
zero-g output	2.5V
upper cut off frequency	315Hz 2. order
lower cut off frequency	1,5 Hz 2. order
supply voltage	5V
operating temperature range	40°C ... 95°C
housing	hermetically sealed metal housing, 5 pins

## Pinbelegung

1	Signal out
2	GND housing
3	Test input
4	GND Signal
5	VDD



# TEMIC

